

ACTUATORS & DAMPERS

INVENSYS DIRECT COUPLED ACTUATORS NON-SPRING RETURN MX40-6 SERIES

DESCRIPTION

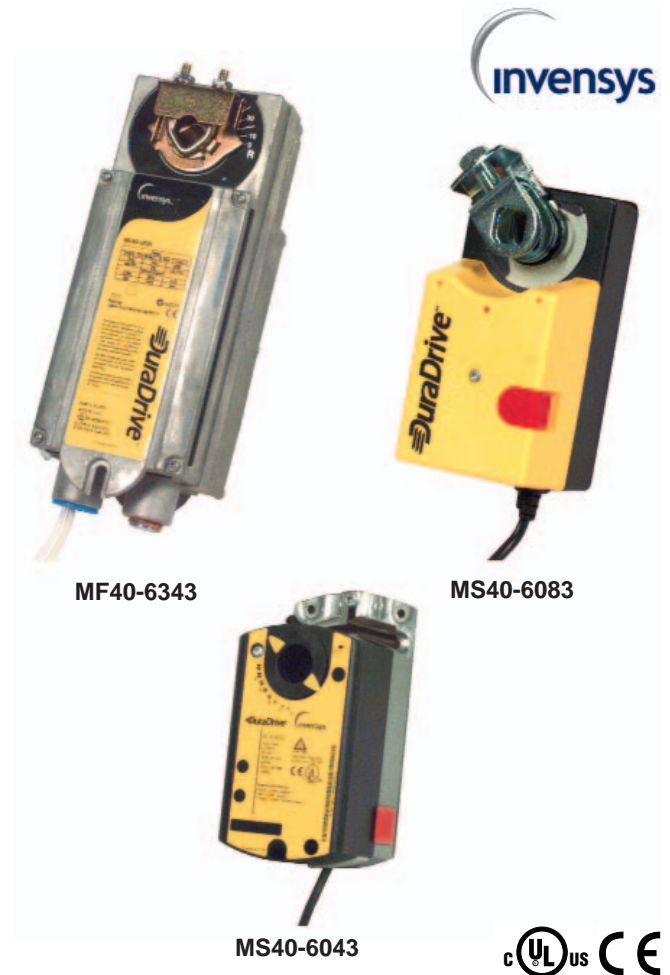
Invensys **MX40-6 Series DuraDrive™ Direct Coupled, Non-Spring Return Actuators** are designed to accept floating or proportional control signals from a DDC system or a thermostat for HVAC damper applications. Typical applications include air handling unit dampers and inlet vanes and unitary equipment. The actuators range in torque from 35-300 in-lb (4-34 Nm).

FEATURES

- **Direct mount to round or square shaft**
- **Floating or proportional control models**
- **Manual override on all models**
- **Minimum 100,000 open/close operations**

SPECIFICATIONS

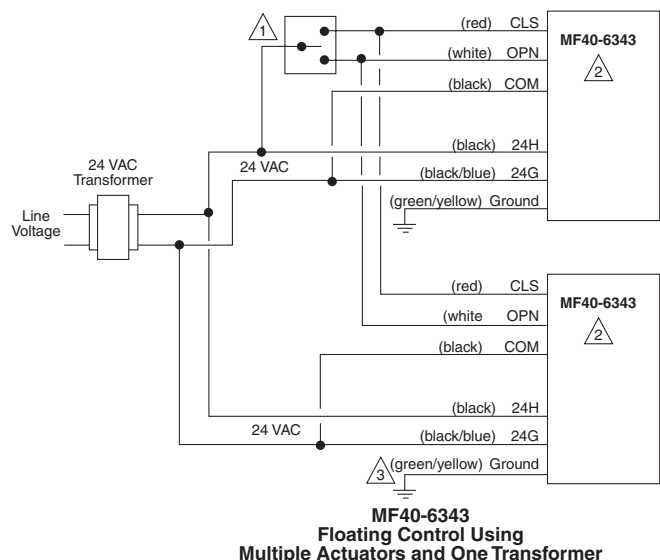
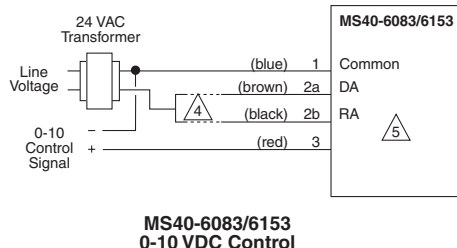
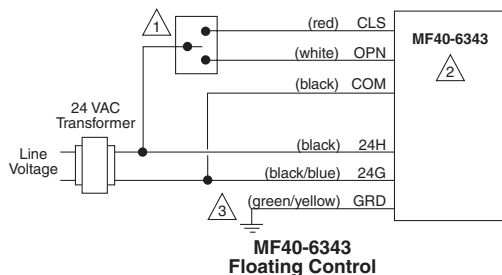
Power supply	24 VAC, 50/60 Hz
Equipment rating	Class 2
Housing	
<300 in-lb models	NEMA 2 (IP54)
300 in-lb models	NEMA 4 (IP56) with watertight conduit connector
Ambient humidity	5% to 95% RH noncondensing
Agency listings	UL-873, CSA C22.2 #24-93
Wiring	
<300 in-lb models	3.0' (0.9m) 18/22 AWG leads
300 in-lb models	2.0' (0.6m) 18/22 AWG leads
Approvals	UL, ULC, CE



ACTUATORS & DAMPERS



WIRING

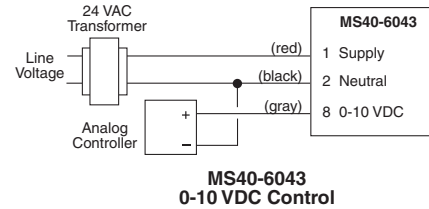
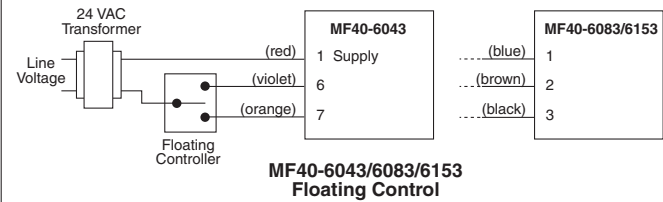
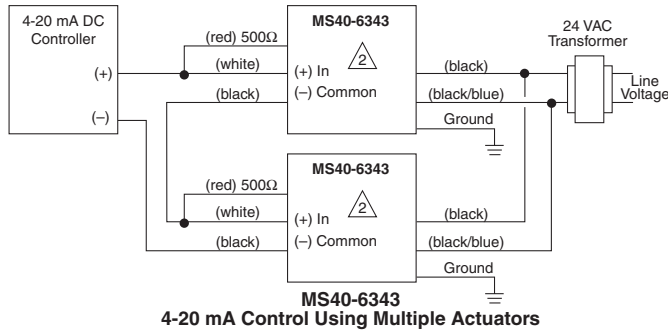
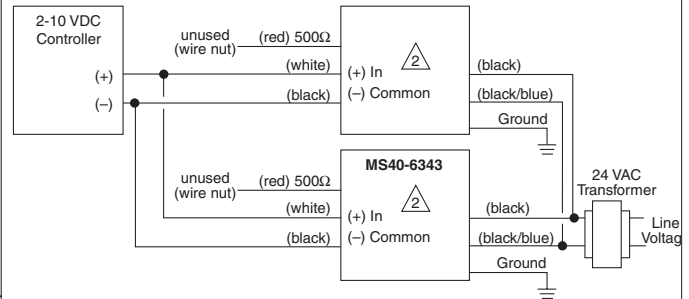
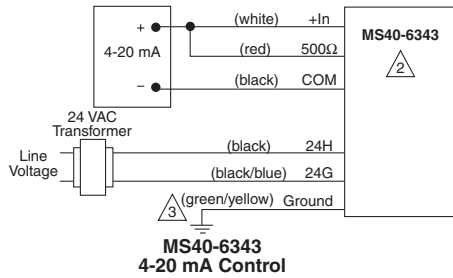




ACTUATORS & DAMPERS

INVENSYS DIRECT COUPLED ACTUATORS NON-SPRING RETURN MX40-6 SERIES

WIRING (CONTINUED)



- 1 SPDT floating or switch/controller or 2 SPST
- 2 Unused conduit port must remain plugged with a watertight pipe plug as shipped from factory to maintain NEMA 4 (IP56) rating.
- 3 Ground wire may be green on some models.
- 4 CW and CCW as looking at the top of the actuator. Connect 24V to brown if CW rotation on rising control signal is required. Connect 24V to black if CCW rotation on rising control signal is required.
- 5 DA drives CW when control signal is increasing. RA drives CCW when control signal is increasing.

ORDERING INFORMATION

MODEL	TORQUE in-lb (Nm)	POWER SUPPLY (VAC)	POWER USAGE (VA)	CONTROL SIGNAL	TIMING (sec)	MAX STROKE	OPERATING TEMP °F (°C)	DIMENSIONS L x W x H in (cm)
MF40-6043	35 (4)	24	2	Floating	90	95°	-25° to 130° (-32° to 55°)	5.4 x 2.7 x 2.4 (13.72 x 6.86 x 6.10)
MS40-6043	35 (4)	24	3	0-10 VDC 100 kΩ	90	95°	-25° to 130° (-32° to 55°)	5.4 x 2.7 x 2.4 (13.72 x 6.86 x 6.10)
MF40-6083	70 (8)	24	5.6	Floating	120	90°	20° to 131° (-7° to 55°)	6.8 x 3.7 x 3.4 (17.27 x 9.40 x 8.64)
MS40-6083	70 (8)	24	5.6	0-10 VDC or 0-20 mA with 500Ω resistor	120	90°	20° to 131° (-7° to 55°)	6.8 x 3.7 x 3.4 (17.27 x 9.40 x 8.64)
MF40-6153	133 (15)	24	5.8	Floating	120	90°	20° to 131° (-7° to 55°)	6.8 x 3.7 x 3.4 (17.27 x 9.40 x 8.64)
MS40-6153	133 (15)	24	5.8	0-10 VDC or 0-20 mA with 500Ω resistor	120	90°	20° to 131° (-7° to 55°)	6.8 x 3.7 x 3.4 (17.27 x 9.40 x 8.64)
MF40-6343	300 (34)	24	7.0	Floating	145	93°	-25° to 140° (-32° to 60°)	10.8 x 4.0 x 4.0 (27.43 x 10.16 x 10.16)
MS40-6343	300 (34)	24	7.1	2-10 VDC or 4-20 mA (integral 500Ω resistor)	145	93°	-25° to 140° (-32° to 60°)	10.8 x 4.0 x 4.0 (27.43 x 10.16 x 10.16)